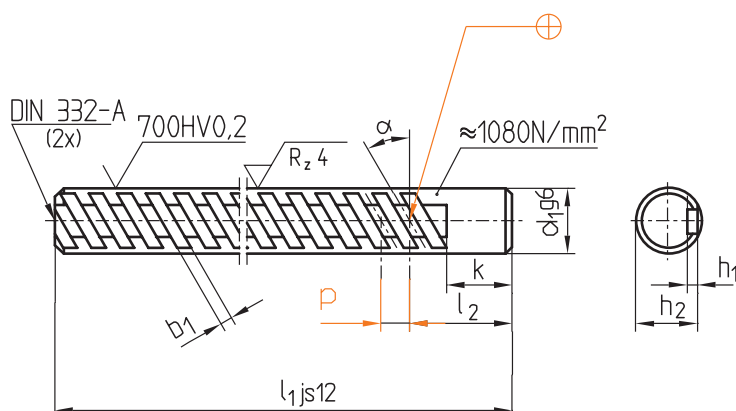


Z1751/...

Mat.: 1.2312/1080 N/mm²



► Info



k	b ₁	h ₂	h ₁	p	l ₂	d ₁	l ₁	α	Nr./No.
16	3	15	2,5	6,93	25	16	160	30	Z1751/16x160/30
							200		200/30
							250		250/30
16	3	15	2,5	8,48	29	16	160	45	160/45
							200		200/45
							250		250/45
20	4	22	3	9,24	33	25	200	30	Z1751/25x200/30
							250		250/30
							315		315/30
							400		400/30
20	4	22	3	11,31	40	25	200	45	200/45
							250		250/45
							315		315/45
							400		400/45

This is trial version
www.adultpdf.com